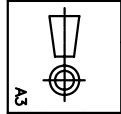


THIS DRAWING IS THE PROPERTY OF CRP FLEX-RITE LTD AND MUST NOT BE COPIED OR DISCLOSED TO A THIRD PARTY WITHOUT THE WRITTEN CONSENT OF CRP FLEX-RITE LTD.

Destroy all previous copies of this drawing

ISS	DATE	REMARKS
0	04.02.08	OPTIONAL M8 EARTH STUD ADDED.

CRP FLEX-RITE Limited
LITTLEBOROUGH ENGLAND
www.crpamplng.com



DRAWN	T.B.	MATERIAL	N/A
DATE	12.09.07	SPEC'N	N/A
SCALE	1:3	CHK'D BY	

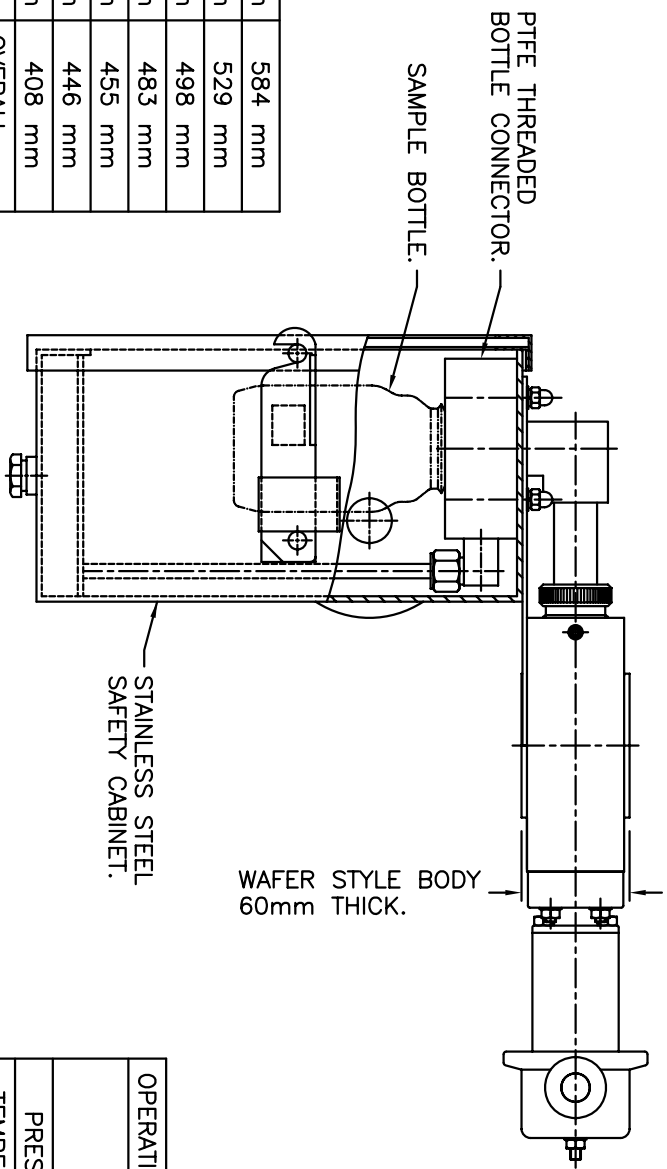
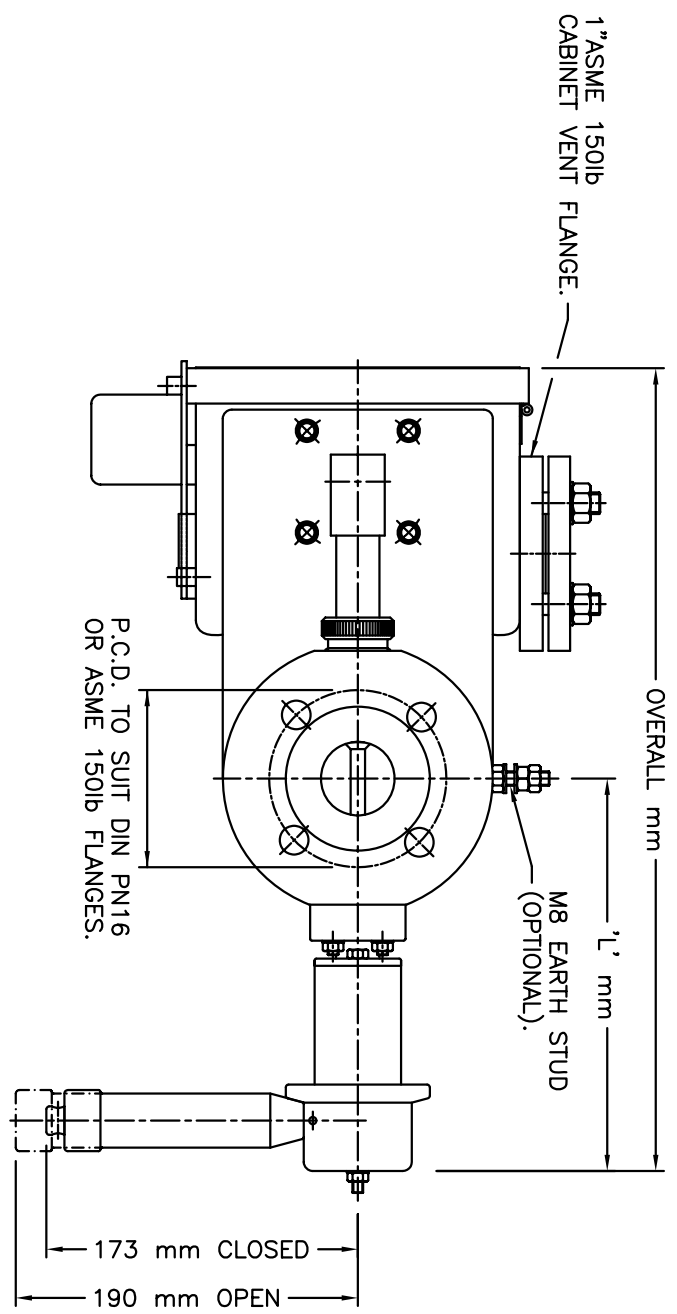
DIMS	DO NOT SCALE	GENERAL TOLERANCES ± 5mm
mm	PART No.	

TITLE
G.A. SD-IL-300/400 VERTICALLY MOUNTED SAMPLING DEVICE WITH CABINET & BOTTLE CONNECTOR

OPERATING DATA	VALVE TYPE
SD-IL-300	SD-IL-400
316L St/St	PFA LINED
PRESSURE	10 bar Max
TEMPERATURE	-20 to +180°C

DRAWING No	ISS
SDD359	1

VALVE SIZE	OVERALL mm
1" ASME/DN25	200 mm
1½" ASME/DN40	218 mm
2" ASME/DN50	226 mm
2½" ASME/DN65	237 mm
3" ASME/DN80	244 mm
4" ASME/DN100	259 mm
6" ASME/DN150	288 mm



OPERATING DATA	VALVE TYPE
SD-IL-300	SD-IL-400
316L St/St	PFA LINED
PRESSURE	10 bar Max
TEMPERATURE	-20 to +180°C